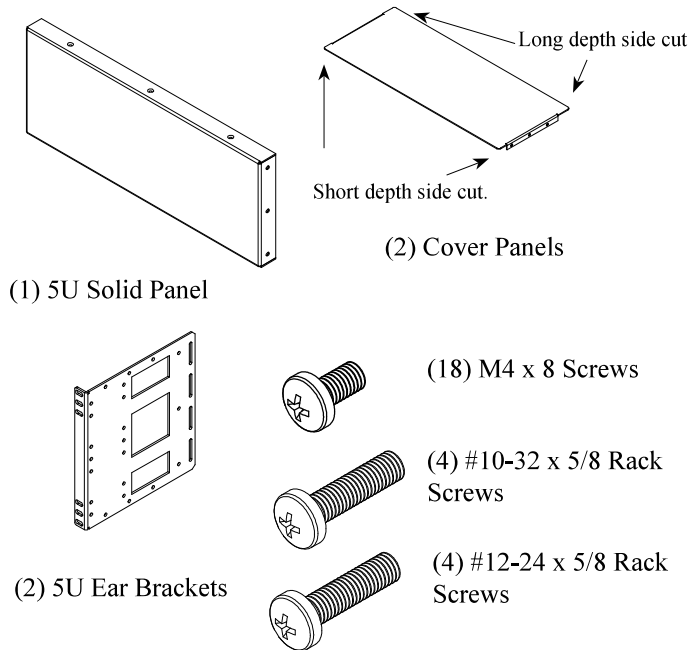


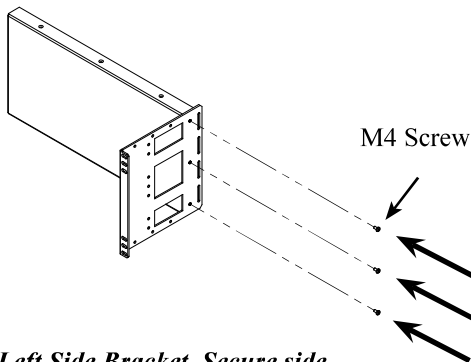
IRP208SB-5U 5U Solid Panel Box Installation

Included in this package

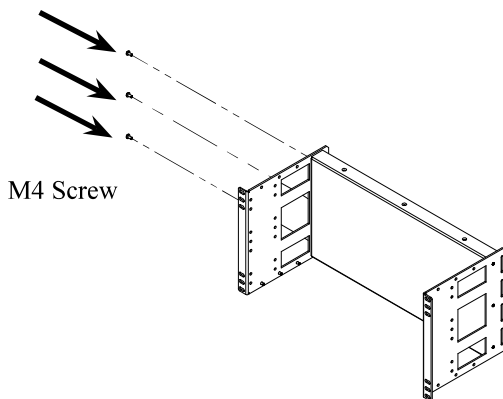


Installation Steps

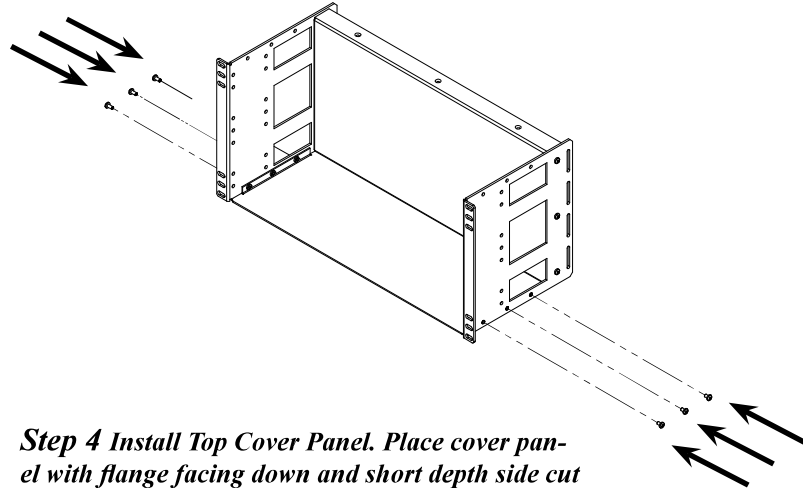
Step 1 Install Right Side Bracket. Secure side bracket to solid panel with (3) M4 Screws but do not tighten them yet.



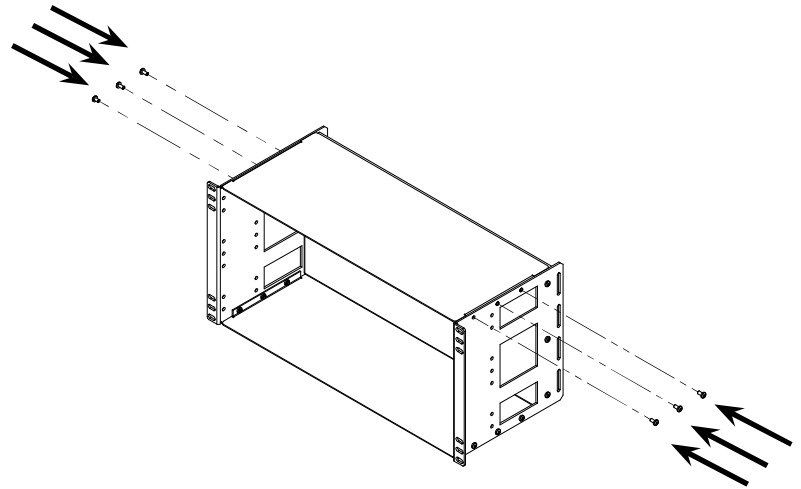
Step 2 Install Left Side Bracket. Secure side bracket with (3) M4 screws to solid panel but do not tighten them yet.



Step 3 Install Bottom Cover Panel. Place cover panel with flange facing up and short depth side cut facing forward as in illustration. Secure side brackets with (3) M4 screws to right and left side of cover panel but do not tighten them yet.



Step 4 Install Top Cover Panel. Place cover panel with flange facing down and short depth side cut facing forward as in illustration. Secure side brackets with (3) M4 screws to right and left side of cover panel but do not tighten them yet.



Step 5 Tighten all M4 screws on both right and left hand side. Makes sure all panels and brackets are secured and not moving. Assembly complete.

